

CUBE TANKS

STORAGE & DISPENSING SOLUTIONS
FOR LIQUID PETROLEUM
PRODUCTS



CUBE TANK 450L

SELF BUNDED BAFFLED **SAFE FILL LEVEL 420L**

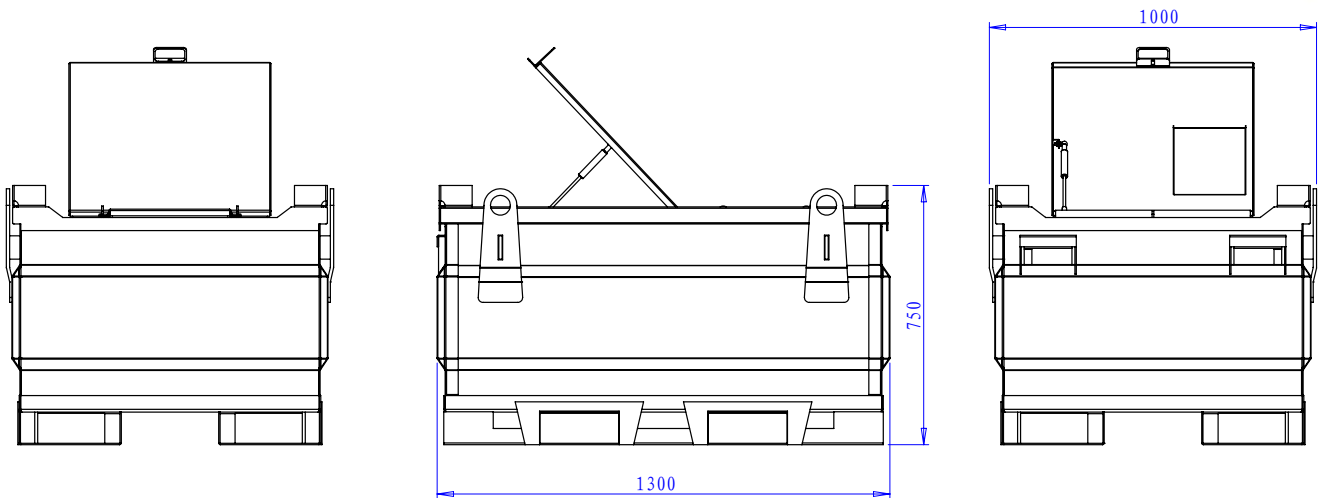


Key Features

- Smallest from the Cube Tank Family
- Self bunded tank, fully baffled. designed and approved for site storage and transport of diesel, petrol, lubricants and waste oil
- Mild steel internal tank and wetted parts - heavy duty mild steel external tank
- Pumps / connections / hoses / meters / filters housed in bund, which can be locked even when in use!
- Stackable - 3-high empty / 2-high when full
- UN approved for transport of dangerous goods and / or static storage / AS1940 / AS1692 approved as self bunded tank for static storage
- Bunded tank capacity 110% of internal tank volume
- Easily removable carbon steel inner tank for maintenance and cleaning
- Suitable for petrol, diesel, lubricants and waste oil
- Fork lift pockets

CUBE TANK 450L

DETAILS & SPECIFICATIONS



Usage: site static storage, delivery, storage, transport & decanting

Size	Safe Fill	Length	Width	Height	Empty Weight	Full Weight
CUBE 450	420L	1300mm	1000mm	750mm	380kg	763kg
CUBE 950	860L	1670mm	1050mm	1235mm	680kg	1488kg
CUBE 2000	1800L	2550mm	1130mm	1235mm	980kg	2680kg
CUBE 3000	2700L	2550mm	1650mm	1235mm	1150kg	3700kg
CUBE 4500	4100L	3000mm	2000mm	1235mm	1650kg	5175kg
CUBE 6300	5950L	3560mm	2166mm	1235mm	2150kg	7205kg
CUBE 6500	5950L	3000mm	2400mm	1300mm	2500kg	7920kg
CUBE 10000	9000L	5750mm	2108mm	1210mm	3500kg	11500kg
CUBE 13000	12000L	6000mm	2400mm	1300mm	4500kg	15400kg

Details

- Self bunded tanks with UN31A/Y approval for the transport of dangerous goods by road, rail and sea, packaging groups II & III.
- Self bunded cubes are fabricated from high grade mild steel (inner tank) and mild steel (outer tank). An inner tank contains the initial volume of liquid. In the unlikely event that this tank develops a leak the outer tank will prevent the liquid from escaping into the environment.
- The bunded tank has a capacity of 110% of volume. All seams are welded to exacting standards.
- Cube is designed with an easy removable mild steel inner tank for maintenance and inspection.
- Cubes are available in a range of capacities, ideal for transportation by either truck or shipping container and suit most hydrocarbons storage and transport requirements.
- The ultimate in quality at very affordable prices.
- Meet strict quality standards, are PPG2 compliant and EU approved. Designed and approved to AS1692 and AS1940
- All pumps, connections and hoses are housed and can be locked within the bund, even in use!
- Colour is AS2700 "Colour Standards for General Purposes" N14 White
- Can be stacked 3 high when empty and 2 high when full.
- 6300L, 6500L, 10000L and 13000L models are supplied with Overfill Protection Valve / Anti Syphon Valve and Overfill Alarm Unit.

CUBE TANK 950L

SELF BUNDED BAFFLED **SAFE FILL LEVEL 860L**

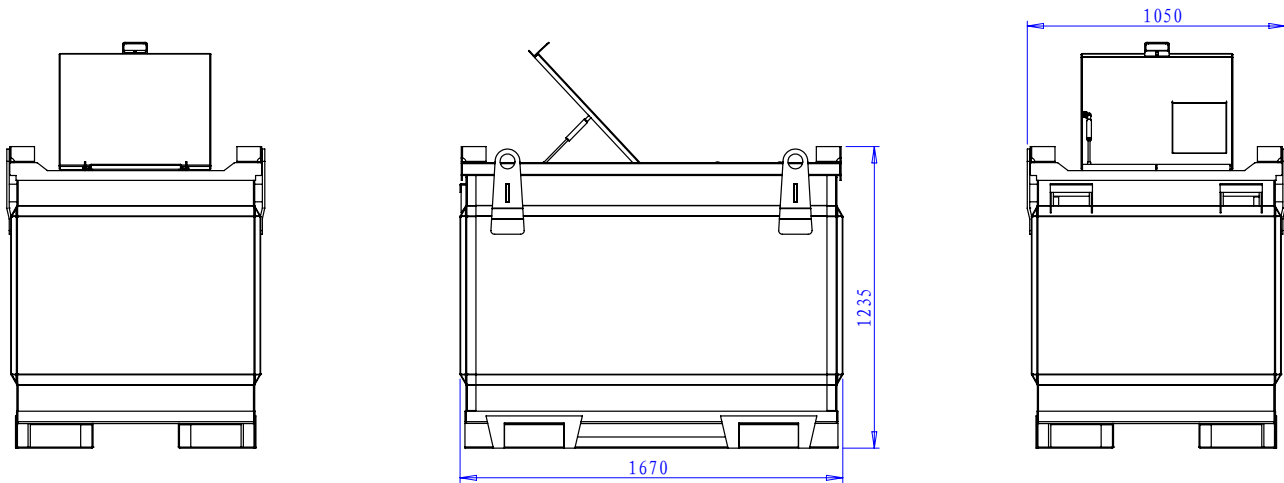


Key Features

- Self bunded tank, fully baffled. designed and approved for site storage and transport of diesel, petrol, lubricants and waste oil
- Mild steel internal tank and wetted parts - heavy duty mild steel external tank
- Pumps / connections / hoses / meters / filters housed in bund, which can be locked even when in use!
- Stackable - 3-high empty / 2-high when full
- UN approved for transport of dangerous goods and / or static storage / AS1940 / AS1692 approved as self bunded tank for static storage
- Bunded tank capacity 110% of internal tank volume
- Easily removable carbon steel inner tank for maintenance and cleaning
- Suitable for petrol, diesel, lubricants and waste oil
- Fork lift pockets

CUBE TANK 950L

DETAILS & SPECIFICATIONS



Usage: site static storage, delivery, storage, transport & decanting

Size	Safe Fill	Length	Width	Height	Empty Weight	Full Weight
CUBE 450	420L	1300mm	1000mm	750mm	380kg	763kg
CUBE 950	860L	1670mm	1050mm	1235mm	680kg	1488kg
CUBE 2000	1800L	2550mm	1130mm	1235mm	980kg	2680kg
CUBE 3000	2700L	2550mm	1650mm	1235mm	1150kg	3700kg
CUBE 4500	4100L	3000mm	2000mm	1235mm	1650kg	5175kg
CUBE 6300	5950L	3560mm	2166mm	1235mm	2150kg	7205kg
CUBE 6500	5950L	3000mm	2400mm	1300mm	2500kg	7920kg
CUBE 10000	9000L	5750mm	2108mm	1210mm	3500kg	11500kg
CUBE 13000	12000L	6000mm	2400mm	1300mm	4500kg	15400kg

Details

- Self bunded tanks with UN31A/Y approval for the transport of dangerous goods by road, rail and sea, packaging groups II & III.
- Self bunded cubes are fabricated from high grade mild steel (inner tank) and mild steel (outer tank). An inner tank contains the initial volume of liquid. In the unlikely event that this tank develops a leak the outer tank will prevent the liquid from escaping into the environment.
- The bunded tank has a capacity of 110% of volume. All seams are welded to exacting standards.
- Cube is designed with an easy removable mild steel inner tank for maintenance and inspection.
- Cubes are available in a range of capacities, ideal for transportation by either truck or shipping container and suit most hydrocarbons storage and transport requirements.
- The ultimate in quality at very affordable prices.
- Meet strict quality standards, are PPG2 compliant and EU approved. Designed and approved to AS1692 and AS1940
- All pumps, connections and hoses are housed and can be locked within the bund, even in use!
- Colour is AS2700 "Colour Standards for General Purposes" N14 White
- Can be stacked 3 high when empty and 2 high when full.
- 6300L, 6500L, 10000L and 13000L models are supplied with Overfill Protection Valve / Anti Syphon Valve and Overfill Alarm Unit.

CUBE TANK 2000L

SELF BUNDED BAFFLED SAFE FILL LEVEL 1800L

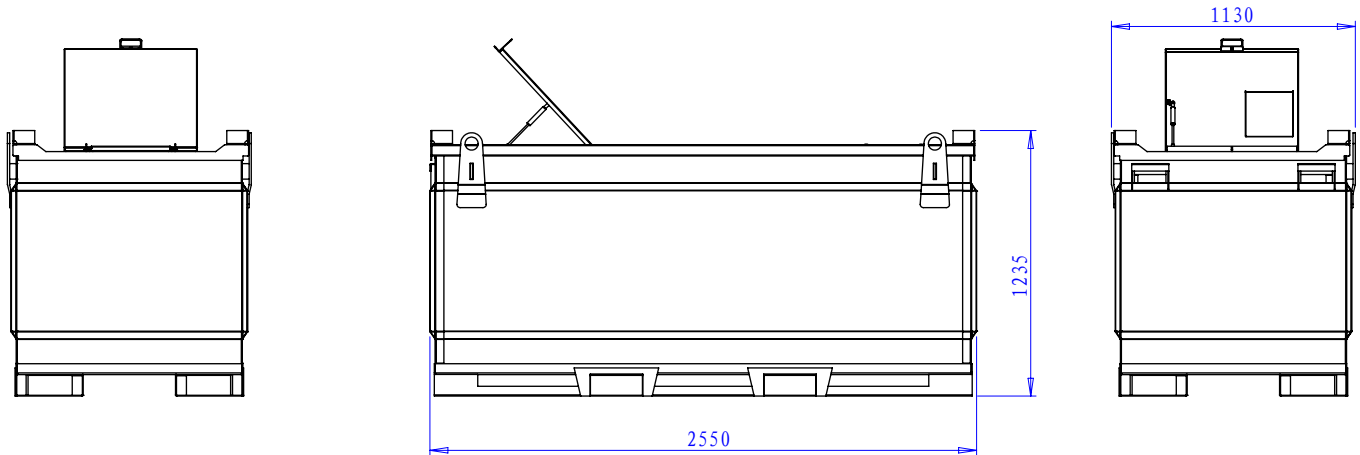


Key Features

- Self bunded tank, fully baffled. designed and approved for site storage and transport of diesel, petrol, lubricants and waste oil
- Mild steel internal tank and wetted parts - heavy duty mild steel external tank
- Pumps / connections / hoses / meters / filters housed in bund, which can be locked even when in use!
- Stackable - 3-high empty / 2-high when full
- UN approved for transport of dangerous goods and / or static storage / AS1940 / AS1692 approved as self bunded tank for static storage
- Bunded tank capacity 110% of internal tank volume
- Easily removable carbon steel inner tank for maintenance and cleaning
- Suitable for petrol, diesel, lubricants and waste oil
- Fork lift pockets

CUBE TANK 2000L

DETAILS & SPECIFICATIONS



Usage: site static storage, delivery, storage, transport & decanting

Size	Safe Fill	Length	Width	Height	Empty Weight	Full Weight
CUBE 450	420L	1300mm	1000mm	750mm	380kg	763kg
CUBE 950	860L	1670mm	1050mm	1235mm	680kg	1488kg
CUBE 2000	1800L	2550mm	1130mm	1235mm	980kg	2680kg
CUBE 3000	2700L	2550mm	1650mm	1235mm	1150kg	3700kg
CUBE 4500	4100L	3000mm	2000mm	1235mm	1650kg	5175kg
CUBE 6300	5950L	3560mm	2166mm	1235mm	2150kg	7205kg
CUBE 6500	5950L	3000mm	2400mm	1300mm	2500kg	7920kg
CUBE 10000	9000L	5750mm	2108mm	1210mm	3500kg	11500kg
CUBE 13000	12000L	6000mm	2400mm	1300mm	4500kg	15400kg

Details

- Self bunded tanks with UN31A/Y approval for the transport of dangerous goods by road, rail and sea, packaging groups II & III.
- Self bunded cubes are fabricated from high grade mild steel (inner tank) and mild steel (outer tank). An inner tank contains the initial volume of liquid. In the unlikely event that this tank develops a leak the outer tank will prevent the liquid from escaping into the environment.
- The bunded tank has a capacity of 110% of volume. All seams are welded to exacting standards.
- Cube is designed with an easy removable mild steel inner tank for maintenance and inspection.
- Cubes are available in a range of capacities, ideal for transportation by either truck or shipping container and suit most hydrocarbons storage and transport requirements.
- The ultimate in quality at very affordable prices.
- Meet strict quality standards, are PPG2 compliant and EU approved. Designed and approved to AS1692 and AS1940
- All pumps, connections and hoses are housed and can be locked within the bund, even in use!
- Colour is AS2700 "Colour Standards for General Purposes" N14 White
- Can be stacked 3 high when empty and 2 high when full.
- 6300L, 6500L, 10000L and 13000L models are supplied with Overfill Protection Valve / Anti Syphon Valve and Overfill Alarm Unit.

CUBE TANK 3000L

SELF BUNDED BAFFLED SAFE FILL LEVEL 2700L

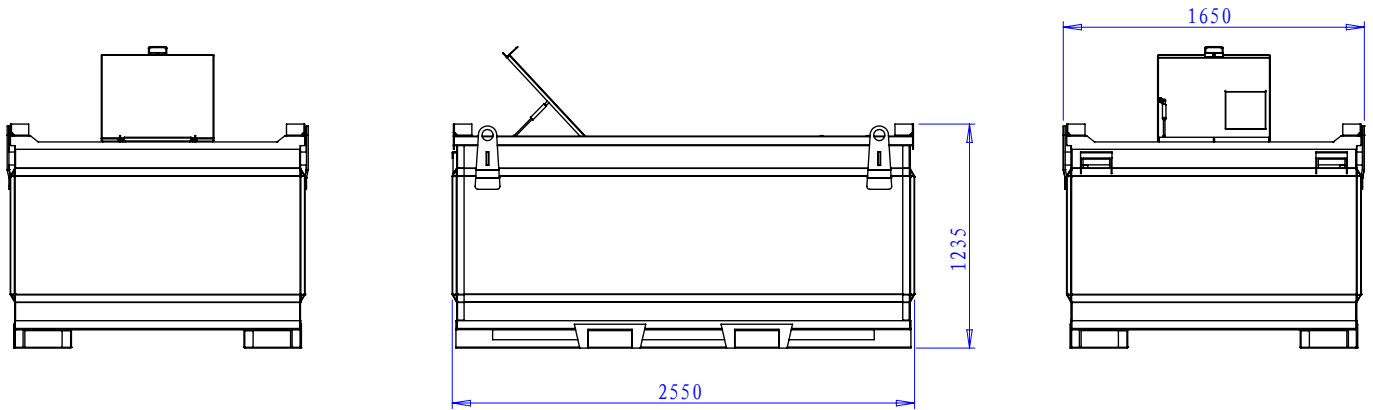


Key Features

- Self bunded tank, fully baffled. designed and approved for site storage and transport of diesel, petrol, lubricants and waste oil
- Mild steel internal tank and wetted parts - heavy duty mild steel external tank
- Pumps / connections / hoses / meters / filters housed in bund, which can be locked even when in use!
- Stackable - 3-high empty / 2-high when full
- UN approved for transport of dangerous goods and / or static storage / AS1940 / AS1692 approved as self bunded tank for static storage
- Bunded tank capacity 110% of internal tank volume
- Easily removable carbon steel inner tank for maintenance and cleaning
- Suitable for petrol, diesel, lubricants and waste oil
- Fork lift pockets

CUBE TANK 3000L

DETAILS & SPECIFICATIONS



Usage: site static storage, delivery, storage, transport & decanting

Size	Safe Fill	Length	Width	Height	Empty Weight	Full Weight
CUBE 450	420L	1300mm	1000mm	750mm	380kg	763kg
CUBE 950	860L	1670mm	1050mm	1235mm	680kg	1488kg
CUBE 2000	1800L	2550mm	1130mm	1235mm	980kg	2680kg
CUBE 3000	2700L	2550mm	1650mm	1235mm	1150kg	3700kg
CUBE 4500	4100L	3000mm	2000mm	1235mm	1650kg	5175kg
CUBE 6300	5950L	3560mm	2166mm	1235mm	2150kg	7205kg
CUBE 6500	5950L	3000mm	2400mm	1300mm	2500kg	7920kg
CUBE 10000	9000L	5750mm	2108mm	1210mm	3500kg	11500kg
CUBE 13000	12000L	6000mm	2400mm	1300mm	4500kg	15400kg

Details

- Self bunded tanks with UN31A/Y approval for the transport of dangerous goods by road, rail and sea, packaging groups II & III.
- Self bunded cubes are fabricated from high grade mild steel (inner tank) and mild steel (outer tank). An inner tank contains the initial volume of liquid. In the unlikely event that this tank develops a leak the outer tank will prevent the liquid from escaping into the environment.
- The bunded tank has a capacity of 110% of volume. All seams are welded to exacting standards.
- Cube is designed with an easy removable mild steel inner tank for maintenance and inspection.
- Cubes are available in a range of capacities, ideal for transportation by either truck or shipping container and suit most hydrocarbons storage and transport requirements.
- The ultimate in quality at very affordable prices.
- Meet strict quality standards, are PPG2 compliant and EU approved. Designed and approved to AS1692 and AS1940
- All pumps, connections and hoses are housed and can be locked within the bund, even in use!
- Colour is AS2700 "Colour Standards for General Purposes" N14 White
- Can be stacked 3 high when empty and 2 high when full.
- 6300L, 6500L, 10000L and 13000L models are supplied with Overfill Protection Valve / Anti Syphon Valve and Overfill Alarm Unit.

CUBE TANK 4500L

SELF BUNDED BAFFLED SAFE FILL LEVEL 4100L

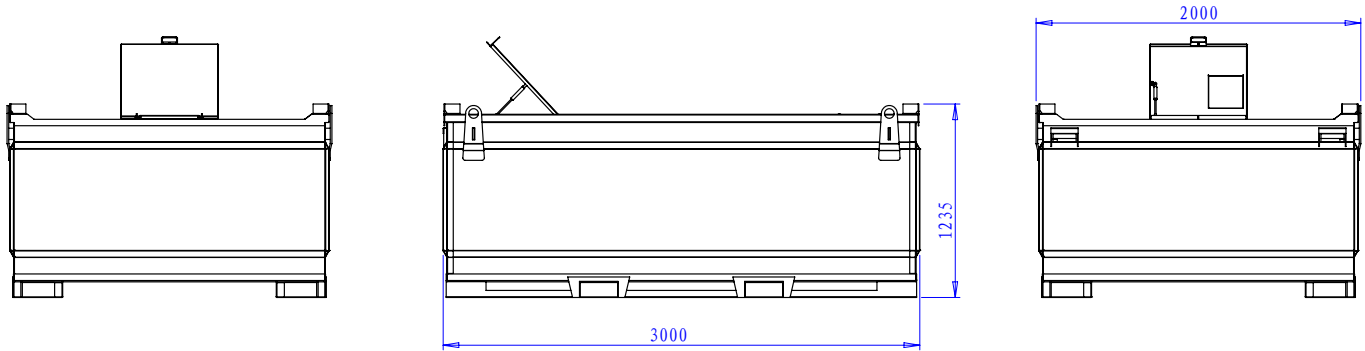


Key Features

- Self bunded tank, fully baffled. designed and approved for site storage and transport of diesel, petrol, lubricants and waste oil
- Mild steel internal tank and wetted parts - heavy duty mild steel external tank
- Pumps / connections / hoses / meters / filters housed in bund, which can be locked even when in use!
- Stackable - 3-high empty / 2-high when full
- UN approved for transport of dangerous goods and / or static storage / AS1940 / AS1692 approved as self bunded tank for static storage
- Bunded tank capacity 110% of internal tank volume
- Easily removable carbon steel inner tank for maintenance and cleaning
- Suitable for petrol, diesel, lubricants and waste oil
- Fork lift pockets

CUBE TANK 4500L

DETAILS & SPECIFICATIONS



Usage: site static storage, delivery, storage, transport & decanting

Size	Safe Fill	Length	Width	Height	Empty Weight	Full Weight
CUBE 450	420L	1300mm	1000mm	750mm	380kg	763kg
CUBE 950	860L	1670mm	1050mm	1235mm	680kg	1488kg
CUBE 2000	1800L	2550mm	1130mm	1235mm	980kg	2680kg
CUBE 3000	2700L	2550mm	1650mm	1235mm	1150kg	3700kg
CUBE 4500	4100L	3000mm	2000mm	1235mm	1650kg	5175kg
CUBE 6300	5950L	3560mm	2166mm	1235mm	2150kg	7205kg
CUBE 6500	5950L	3000mm	2400mm	1300mm	2500kg	7920kg
CUBE 10000	9000L	5750mm	2108mm	1210mm	3500kg	11500kg
CUBE 13000	12000L	6000mm	2400mm	1300mm	4500kg	15400kg

Details

- Self bunded tanks with UN31A/Y approval for the transport of dangerous goods by road, rail and sea, packaging groups II & III.
- Self bunded cubes are fabricated from high grade mild steel (inner tank) and mild steel (outer tank). An inner tank contains the initial volume of liquid. In the unlikely event that this tank develops a leak the outer tank will prevent the liquid from escaping into the environment.
- The bunded tank has a capacity of 110% of volume. All seams are welded to exacting standards.
- Cube is designed with an easy removable mild steel inner tank for maintenance and inspection.
- Cubes are available in a range of capacities, ideal for transportation by either truck or shipping container and suit most hydrocarbons storage and transport requirements.
- The ultimate in quality at very affordable prices.
- Meet strict quality standards, are PPG2 compliant and EU approved. Designed and approved to AS1692 and AS1940
- All pumps, connections and hoses are housed and can be locked within the bund, even in use!
- Colour is AS2700 "Colour Standards for General Purposes" N14 White
- Can be stacked 3 high when empty and 2 high when full.
- 6300L, 6500L, 10000L and 13000L models are supplied with Overfill Protection Valve / Anti Syphon Valve and Overfill Alarm Unit.

CUBE TANK 6300L

SELF BUNDED BAFFLED SAFE FILL LEVEL 5950L

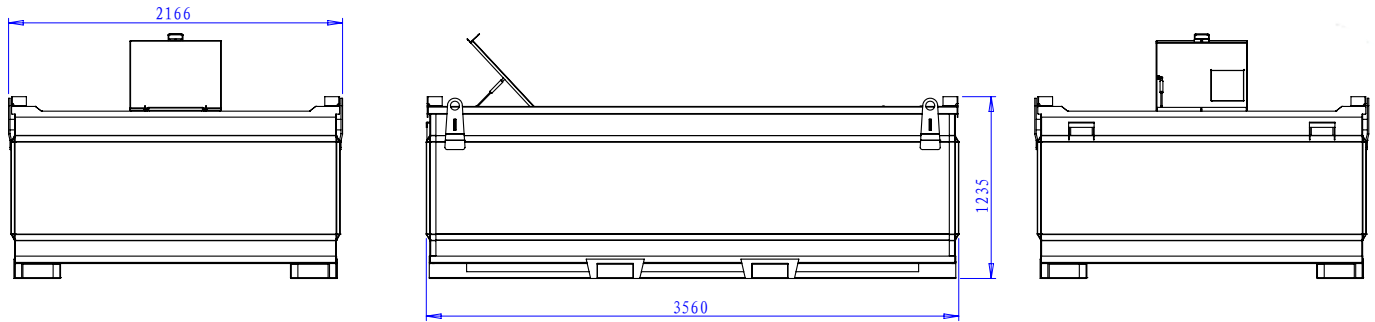


Key Features

- Self bunded tank, fully baffled. designed and approved for site storage and transport of diesel, petrol, lubricants and waste oil
- Mild steel internal tank and wetted parts - heavy duty mild steel external tank
- Pumps / connections / hoses / meters / filters housed in bund, which can be locked even when in use!
- Stackable - 3-high empty / 2-high when full
- UN approved for transport of dangerous goods and / or static storage / AS1940 / AS1692 approved as self bunded tank for static storage
- Bunded tank capacity 110% of internal tank volume
- Easily removable carbon steel inner tank for maintenance and cleaning
- Suitable for petrol, diesel, lubricants and waste oil
- Fork lift pockets

CUBE TANK 6300L

DETAILS & SPECIFICATIONS



Usage: site static storage, delivery, storage, transport & decanting

Size	Safe Fill	Length	Width	Height	Empty Weight	Full Weight
CUBE 450	420L	1300mm	1000mm	750mm	380kg	763kg
CUBE 950	860L	1670mm	1050mm	1235mm	680kg	1488kg
CUBE 2000	1800L	2550mm	1130mm	1235mm	980kg	2680kg
CUBE 3000	2700L	2550mm	1650mm	1235mm	1150kg	3700kg
CUBE 4500	4100L	3000mm	2000mm	1235mm	1650kg	5175kg
CUBE 6300	5950L	3560mm	2166mm	1235mm	2150kg	7205kg
CUBE 6500	5950L	3000mm	2400mm	1300mm	2500kg	7920kg
CUBE 10000	9000L	5750mm	2108mm	1210mm	3500kg	11500kg
CUBE 13000	12000L	6000mm	2400mm	1300mm	4500kg	15400kg

Details

- Self bunded tanks with UN31A/Y approval for the transport of dangerous goods by road, rail and sea, packaging groups II & III.
- Self bunded cubes are fabricated from high grade mild steel (inner tank) and mild steel (outer tank). An inner tank contains the initial volume of liquid. In the unlikely event that this tank develops a leak the outer tank will prevent the liquid from escaping into the environment.
- The bunded tank has a capacity of 110% of volume. All seams are welded to exacting standards.
- Cube is designed with an easy removable mild steel inner tank for maintenance and inspection.
- Cubes are available in a range of capacities, ideal for transportation by either truck or shipping container and suit most hydrocarbons storage and transport requirements.
- The ultimate in quality at very affordable prices.
- Meet strict quality standards, are PPG2 compliant and EU approved. Designed and approved to AS1692 and AS1940
- All pumps, connections and hoses are housed and can be locked within the bund, even in use!
- Colour is AS2700 "Colour Standards for General Purposes" N14 White
- Can be stacked 3 high when empty and 2 high when full.
- 6300L, 6500L, 10000L and 13000L models are supplied with Overfill Protection Valve / Anti Syphon Valve and Overfill Alarm Unit.

CUBE TANK 6500L

SELF BUNDED BAFFLED SAFE FILL LEVEL 5950L

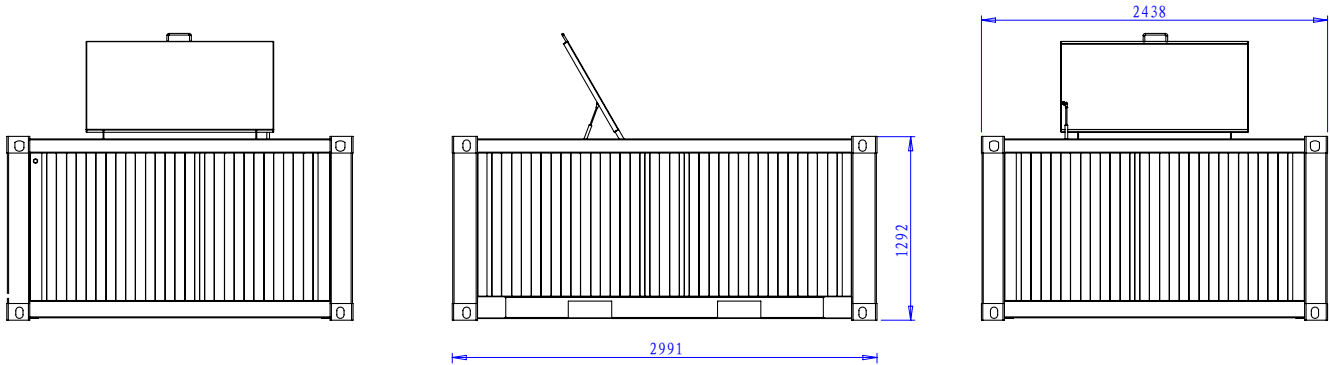


Key Features

- Containerised self bunded tank, fully baffled. designed and approved for site storage and transport of diesel, petrol, lubricants and waste oil
- Mild steel internal tank and wetted parts - heavy duty mild steel external tank
- Pumps / connections / hoses / meters / filters housed in bund, which can be locked even when in use!
- Stackable - 3-high empty / 2-high when full
- UN approved for transport of dangerous goods and / or static storage / AS1940 / AS1692 approved as self bunded tank for static storage
- Bunded tank capacity 110% of internal tank volume
- Easily removable carbon steel inner tank for maintenance and cleaning
- Suitable for petrol, diesel, lubricants and waste oil
- Fork lift pockets

CUBE TANK 6500L

DETAILS & SPECIFICATIONS



Usage: site static storage, delivery, storage, transport & decanting

Size	Safe Fill	Length	Width	Height	Empty Weight	Full Weight
CUBE 450	420L	1300mm	1000mm	750mm	380kg	763kg
CUBE 950	860L	1670mm	1050mm	1235mm	680kg	1488kg
CUBE 2000	1800L	2550mm	1130mm	1235mm	980kg	2680kg
CUBE 3000	2700L	2550mm	1650mm	1235mm	1150kg	3700kg
CUBE 4500	4100L	3000mm	2000mm	1235mm	1650kg	5175kg
CUBE 6300	5950L	3560mm	2166mm	1235mm	2150kg	7205kg
CUBE 6500	5950L	3000mm	2400mm	1300mm	2500kg	7920kg
CUBE 10000	9000L	5750mm	2108mm	1210mm	3500kg	11500kg
CUBE 13000	12000L	6000mm	2400mm	1300mm	4500kg	15400kg

Details

- Self bunded tanks with UN31A/Y approval for the transport of dangerous goods by road, rail and sea, packaging groups II & III.
- Self bunded cubes are fabricated from high grade mild steel (inner tank) and mild steel (outer tank). An inner tank contains the initial volume of liquid. In the unlikely event that this tank develops a leak the outer tank will prevent the liquid from escaping into the environment.
- The bunded tank has a capacity of 110% of volume. All seams are welded to exacting standards.
- Cube is designed with an easy removable mild steel inner tank for maintenance and inspection.
- Cubes are available in a range of capacities, ideal for transportation by either truck or shipping container and suit most hydrocarbons storage and transport requirements.
- The ultimate in quality at very affordable prices.
- Meet strict quality standards, are PPG2 compliant and EU approved. Designed and approved to AS1692 and AS1940
- All pumps, connections and hoses are housed and can be locked within the bund, even in use!
- Colour is AS2700 "Colour Standards for General Purposes" N14 White
- Can be stacked 3 high when empty and 2 high when full.
- 6300L, 6500L, 10000L and 13000L models are supplied with Overfill Protection Valve / Anti Syphon Valve and Overfill Alarm Unit.

CUBE TANK 10,000L

SELF BUNDED BAFFLED SAFE FILL LEVEL 9000L

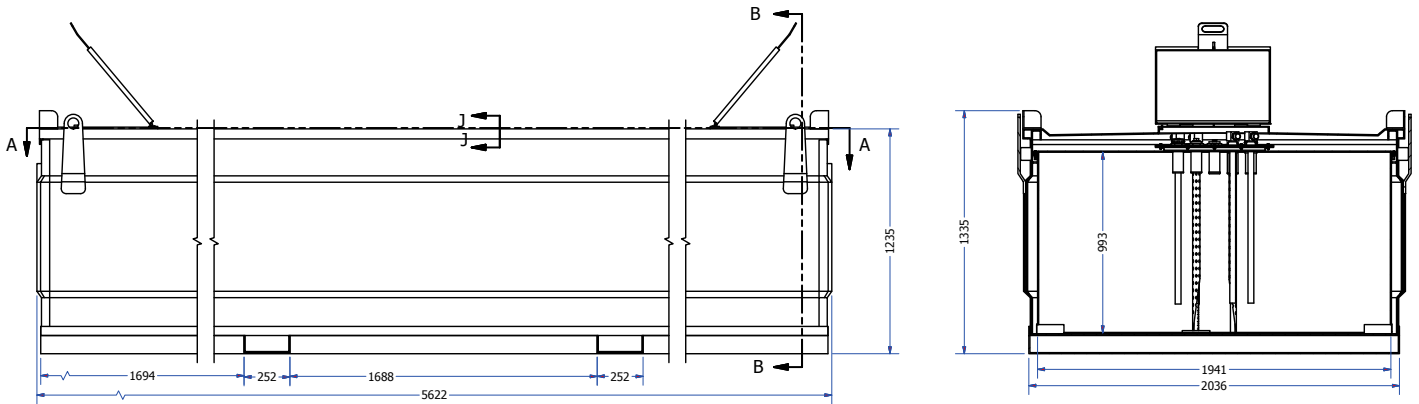


Key Features

- Self bunded tank, fully baffled. designed and approved for site storage and transport of diesel, petrol, lubricants and waste oil
- Mild steel internal tank and wetted parts - heavy duty mild steel external tank
- Pumps / connections / hoses / meters / filters housed in bund, which can be locked even when in use!
- Stackable - 3-high empty / 2-high when full
- UN approved for transport of dangerous goods and / or static storage / AS1940 / AS1692 approved as self bunded tank for static storage
- Bunded tank capacity 110% of internal tank volume
- Easily removable carbon steel inner tank for maintenance and cleaning
- Suitable for petrol, diesel, lubricants and waste oil
- Fork lift pockets

CUBE TANK 10,000L

DETAILS & SPECIFICATIONS



Usage: site static storage, delivery, storage, transport & decanting

Size	Safe Fill	Length	Width	Height	Empty Weight	Full Weight
CUBE 450	420L	1300mm	1000mm	750mm	380kg	763kg
CUBE 950	860L	1670mm	1050mm	1235mm	680kg	1488kg
CUBE 2000	1800L	2550mm	1130mm	1235mm	980kg	2680kg
CUBE 3000	2700L	2550mm	1650mm	1235mm	1150kg	3700kg
CUBE 4500	4100L	3000mm	2000mm	1235mm	1650kg	5175kg
CUBE 6300	5950L	3560mm	2166mm	1235mm	2150kg	7205kg
CUBE 6500	5950L	3000mm	2400mm	1300mm	2500kg	7920kg
CUBE 10000	9000L	5750mm	2108mm	1210mm	3500kg	11500kg
CUBE 13000	12000L	6000mm	2400mm	1300mm	4500kg	15400kg

Details

- Self bunded tanks with UN31A/Y approval for the transport of dangerous goods by road, rail and sea, packaging groups II & III.
- Self bunded cubes are fabricated from high grade mild steel (inner tank) and mild steel (outer tank). An inner tank contains the initial volume of liquid. In the unlikely event that this tank develops a leak the outer tank will prevent the liquid from escaping into the environment.
- The bunded tank has a capacity of 110% of volume. All seams are welded to exacting standards.
- Cube is designed with an easy removable mild steel inner tank for maintenance and inspection.
- Cubes are available in a range of capacities, ideal for transportation by either truck or shipping container and suit most hydrocarbons storage and transport requirements.
- The ultimate in quality at very affordable prices.
- Meet strict quality standards, are PPG2 compliant and EU approved. Designed and approved to AS1692 and AS1940
- All pumps, connections and hoses are housed and can be locked within the bund, even in use!
- Colour is AS2700 "Colour Standards for General Purposes" N14 White
- Can be stacked 3 high when empty and 2 high when full.
- 6300L, 6500L, 10000L and 13000L models are supplied with Overfill Protection Valve / Anti Syphon Valve and Overfill Alarm Unit.

CUBE TANK 13,000L

SELF BUNDED BAFFLED SAFE FILL LEVEL 12,000L

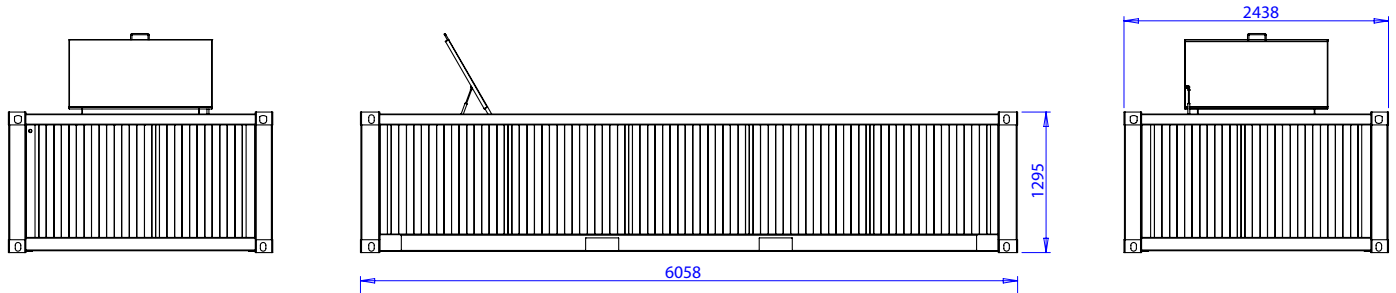


Key Features

- Containerised self bunded tank, fully baffled. designed and approved for site storage and transport of diesel, petrol, lubricants and waste oil
- Mild steel internal tank and wetted parts - heavy duty mild steel external tank
- Pumps / connections / hoses / meters / filters housed in bund, which can be locked even when in use!
- Stackable - 3-high empty / 2-high when full
- UN approved for transport of dangerous goods and / or static storage / AS1940 / AS1692 approved as self bunded tank for static storage
- Bunded tank capacity 110% of internal tank volume
- Easily removable carbon steel inner tank for maintenance and cleaning
- Suitable for petrol, diesel, lubricants and waste oil
- Fork lift pockets

CUBE TANK 13,000L

DETAILS & SPECIFICATIONS



Usage: site static storage, delivery, storage, transport & decanting

Size	Safe Fill	Length	Width	Height	Empty Weight	Full Weight
CUBE 450	420L	1300mm	1000mm	750mm	380kg	763kg
CUBE 950	860L	1670mm	1050mm	1235mm	680kg	1488kg
CUBE 2000	1800L	2550mm	1130mm	1235mm	980kg	2680kg
CUBE 3000	2700L	2550mm	1650mm	1235mm	1150kg	3700kg
CUBE 4500	4100L	3000mm	2000mm	1235mm	1650kg	5175kg
CUBE 6300	5950L	3560mm	2166mm	1235mm	2150kg	7205kg
CUBE 6500	5950L	3000mm	2400mm	1300mm	2500kg	7920kg
CUBE 10000	9000L	5750mm	2108mm	1210mm	3500kg	11500kg
CUBE 13000	12000L	6000mm	2400mm	1300mm	4500kg	15400kg

Details

- Self bunded tanks with UN31A/Y approval for the transport of dangerous goods by road, rail and sea, packaging groups II & III.
- Self bunded cubes are fabricated from high grade mild steel (inner tank) and mild steel (outer tank). An inner tank contains the initial volume of liquid. In the unlikely event that this tank develops a leak the outer tank will prevent the liquid from escaping into the environment.
- The bunded tank has a capacity of 110% of volume. All seams are welded to exacting standards.
- Cube is designed with an easy removable mild steel inner tank for maintenance and inspection.
- Cubes are available in a range of capacities, ideal for transportation by either truck or shipping container and suit most hydrocarbons storage and transport requirements.
- The ultimate in quality at very affordable prices.
- Meet strict quality standards, are PPG2 compliant and EU approved. Designed and approved to AS1692 and AS1940
- All pumps, connections and hoses are housed and can be locked within the bund, even in use!
- Colour is AS2700 "Colour Standards for General Purposes" N14 White
- Can be stacked 3 high when empty and 2 high when full.
- 6300L, 6500L, 10000L and 13000L models are supplied with Overfill Protection Valve / Anti Syphon Valve and Overfill Alarm Unit.



14 Somersby Road, / 08 9451 2572
Welshpool / 1300 998 647