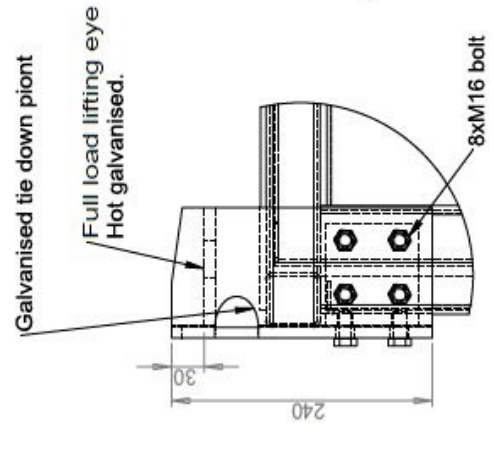
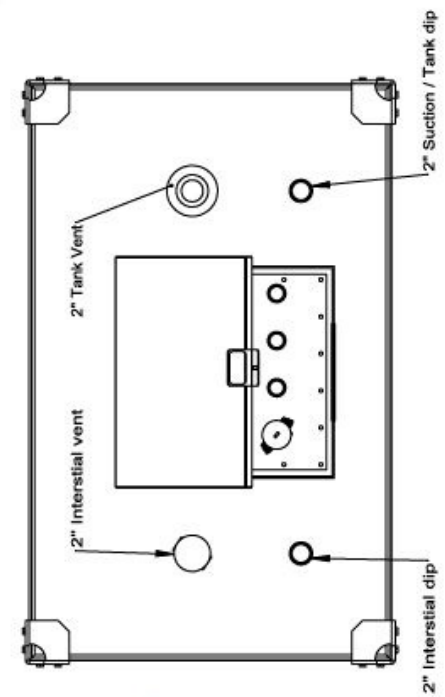
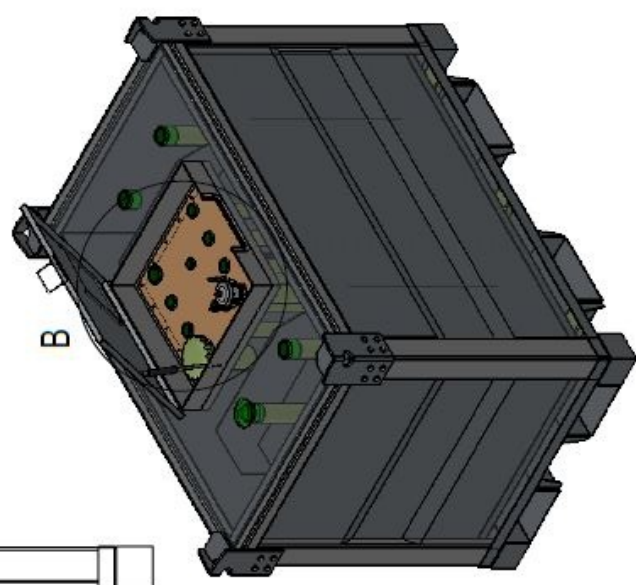


DETAIL "B"



DETAIL "A"

1. Stackable 2 high full and 3 empty.
2. Designed and approved to AS1940 / AS1692 / AS1657
3. All welding to AS1554.1
4. All threads are BSP
5. Self banded (double wall) for stationary storage
6. 2" socket fill point
7. Four way forklift pockets
8. Statutory signage

Size	CUBE 1000L	Tank Capacity (L)	1200	Safe Fill Level(L)	1080	Length (mm)	1610	Width (mm)	1020	Height (mm)	1240	Empty Weight (kg)	630
TITLE NO. : BDM CUBE													
PART NO. :													
BLUE DIAMOND MACHINERY													
NO.	Changes File	SIGN	DATE	Material	Weight	Scale							
Design	2018/9/4	Number											
CHKD													
CHKD													
APVVD													
											Revision	01	TOTAL SHEET 2
											SHEET 1		