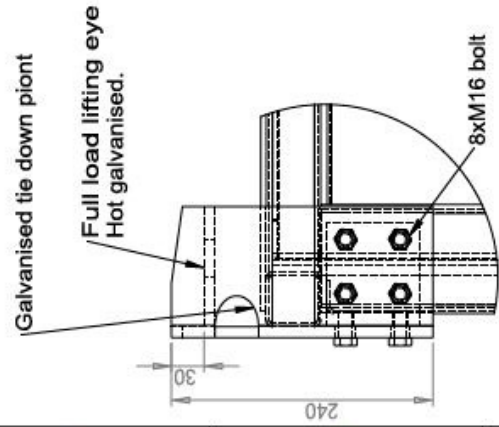
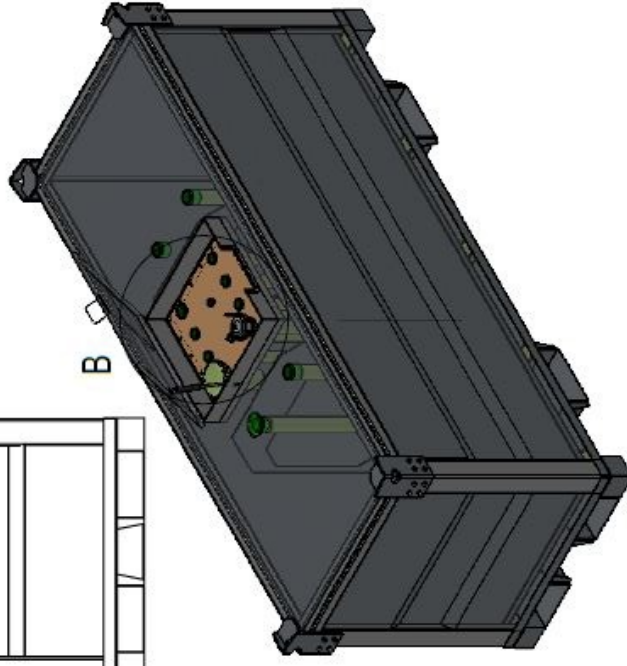
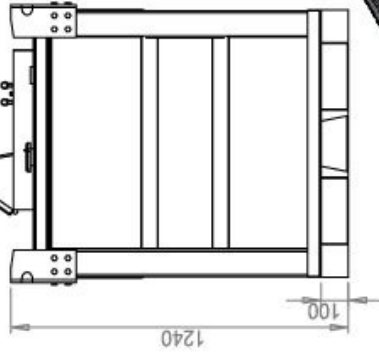
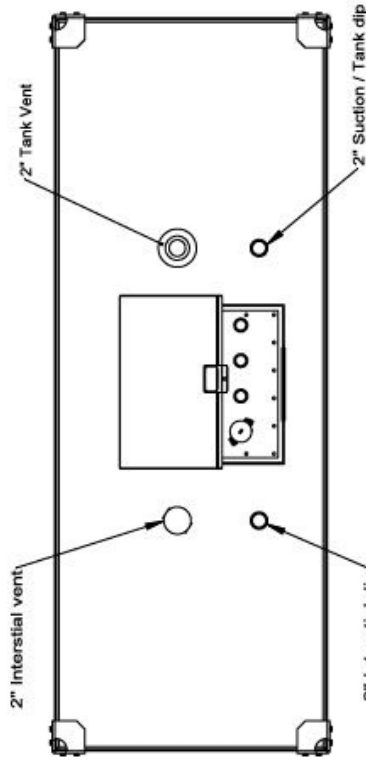


DETAIL "B"



DETAIL "A"



1. Stackable 2 high full and 3 empty.
2. Designed and approved to AS1940 / AS1692 / AS1657
3. All welding to AS1554.1
4. All threads are BSP
5. Self banded (double wall) for stationary storage
6. 2" socket fill point
7. Four way forklift pockets
8. Statutory signage

Size	Tank Capacity (L)	Safe Fill Level (L)	Length (mm)	Width (mm)	Height (mm)	Empty Weight (kg)
CUBE 2000L	2220	2000	2710	1020	1240	1100

NO.		Changes File	SIGN	DATE
Design		2017/11/28	Number	
CHKD				
CHKD				
APPVD				

TITLE NO. :		BDM CUBE
PART NO. :		JOB NQ2000L

Material	Weight	Scale

Revision	01	SHEET 1	TOTAL SHEET 2
----------	----	---------	---------------